



UNIVERSITY COLLEGE TATI (UCTATI)

FINAL EXAMINATION QUESTION BOOKLET

COURSE CODE	:	BCE 1102
COURSE TITLE	:	ENGINEERING DRAWING
SEMESTER/SESSION	:	1 - 2022/2023
DURATION	:	3 HOURS

Instructions:

1. This booklet contains **5** questions. Answer **all** questions.
2. All answers should be drawn in **A3** paper.
3. Write legibly and draw sketches wherever required.
4. Question booklet need to be returned after session ends.
5. If in doubt, raise up your hands and ask the invigilator.

DO NOT OPEN THIS BOOKLET UNTIL YOU ARE TOLD TO DO SO

THIS BOOKLET CONTAINS 6 PRINTED PAGES INCLUDING COVER PAGE

QUESTION 1

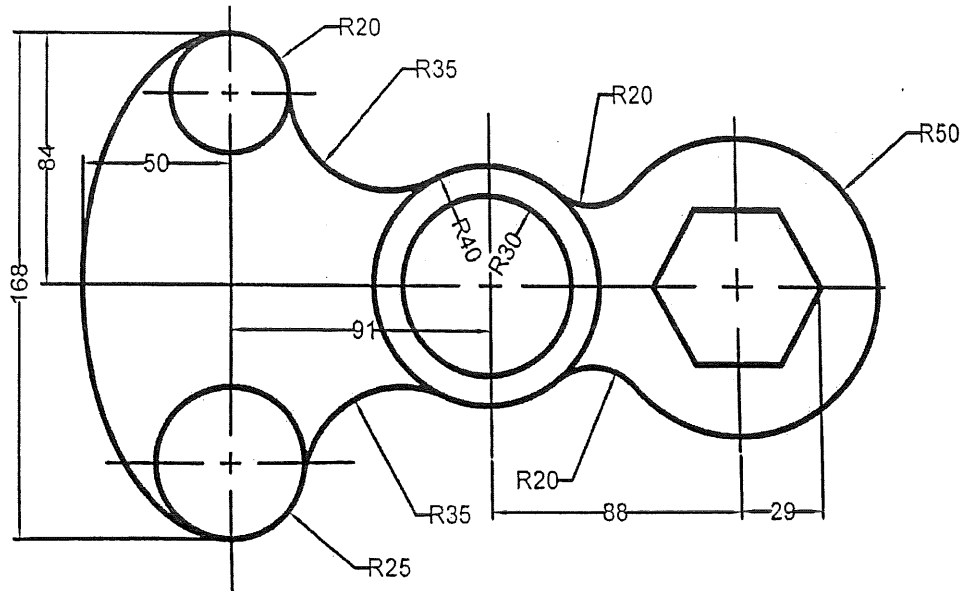


FIGURE 1

- a) Produce the given drawing in Figure 1 according to the geometrical (22 marks) construction procedures and complete the drawing with standard dimensions.

QUESTION 2

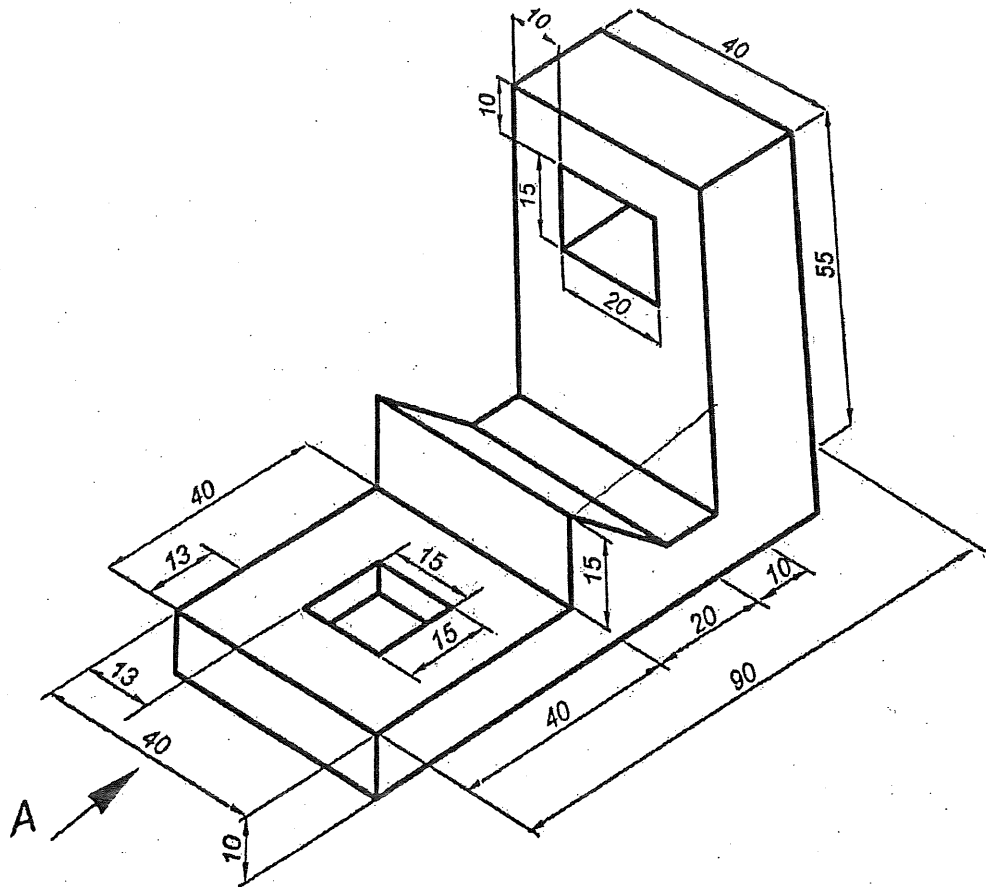


FIGURE 2

a) Figure 2 shows the isometric view of a part. Depict the part in full scale using **3rd Angle Orthographic** projection. (Do not dimensioning)

- i. Front view as seen in the direction A (5 marks)
- ii. Top view (5 marks)
- iii. Side view (5 marks)

QUESTION 3

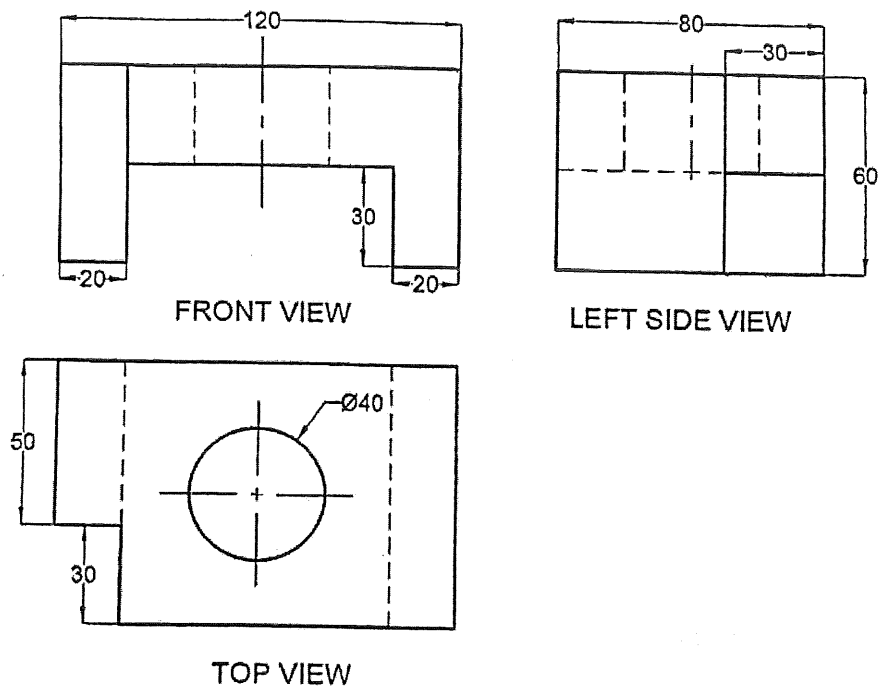


FIGURE 3

- a) Illustrate the isometric view for the orthographic drawing in Figure 3. (15 marks)

QUESTION 4

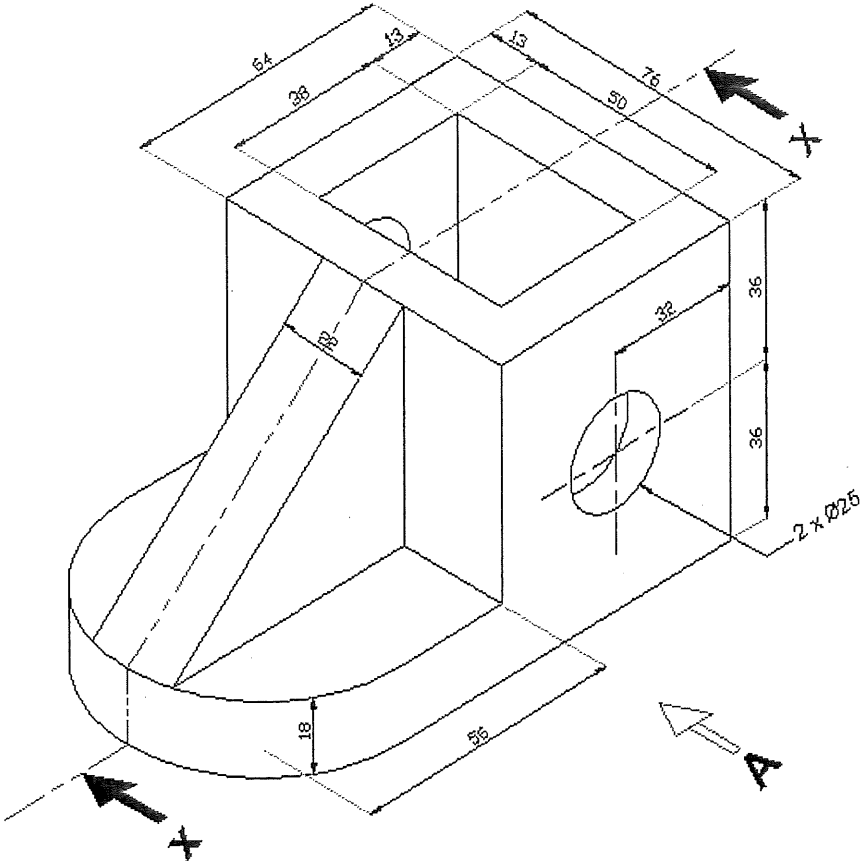


FIGURE 4

- a) Figure 4 shows an isometric view with its cutting plane (XX). Construct the sectional view in full scale. (33 marks)

ENGINEERING DRAWING (BCE 1102)

QUESTION 5

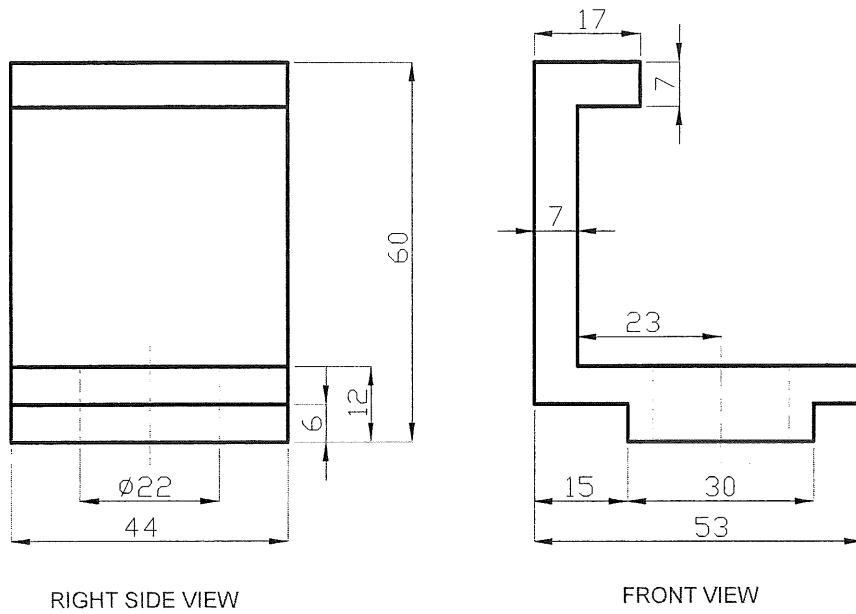


FIGURE 5

- a) Figure 5 consist of two views of a component in 1st angle projection. From these views, produce an isometric view for the given drawing and the missing view for the object. (15 marks)

-----End of questions-----